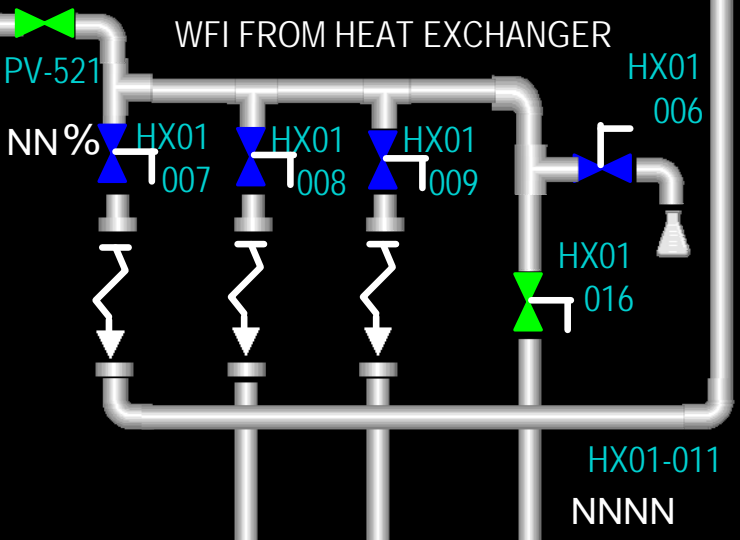


Stop Fill	RESUME FILL	UNLOCK TANK 1
PH OK Confirm	PH NOT OK	Run Pump

Tank filled to 90 %.
Waiting to get weights.
Please do not touch Tank.

Tank Mixing MGC 50%

10/11/2009
5:05:11 PM



MIX1-005, MIX1-006, MIX1-015, MIX1-019, MIX1-018, MIX1-009, MIX1-010, MIX1-016

Target fill NNNN Liters
Actual Wt. NNN.N Kgs.
Batch Wt. NNN.N Kgs.
Pressure NN.N PSIA
Temperature NNN.N °C

MGC 50% TANK 1



OVER PRESSURE

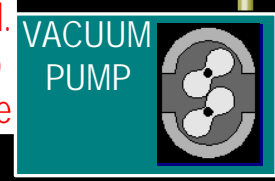
GO TO TANK 2

GO TO TANK 3

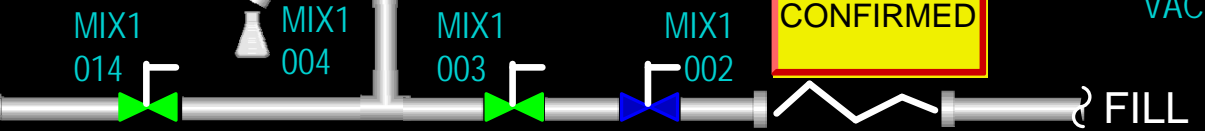
GO TO HEAT EXCHANGER

TANK FILL & CLEAN SCREEN

Confirm Drain Disconnected.
Open Additions Port on top of Tank. Close Manual Valve



CONFIRMED



MAIN